



# Econo-Finish® Cabinet Systems

## Section D: Table of Contents

<b>Cabinet Models</b>	D1
<b>Options</b>	D1
<b>Parts</b>	
Cabinet Assembly	D2
Dust Collectors	D3
Blast Guns	D4

### Econo-Finish® Cabinet Models

MODEL DESCRIPTION	PART NUMBER	DOOR TYPE	DUST COLLECTION	BLOWER MOTOR	SHIPPING WEIGHT
EF-2430B	114013	Single	DC-16	.98 hp	295 lbs
EF-2436B	115013	Double	DC-16	.98 hp	315 lbs
EF-2448B	116013	Double	DC-16	.98 hp	365 lbs
EF-2436A	115011	Double	DC-30	.98 hp	325 lbs
EF-2448A	116011	Double	DC-30	.98 hp	385 lbs

### Econo-Finish® Options

Description	PART NUMBER	
	B Series	A Series
Electrical, 240V, 50-60Hz, Single-phase, 2 or 3 wire, transformer <i>(Factory installed only)</i>	140341	140341
C.S.A. Canadian Certification <i>(Factory installed only)</i>	140433	140433
Interlock safety switch for single or lower door, depending on series	140377	140377
Pressure regulator, 3/8" NPT <i>(Requires nipple, PN 545972)</i>	517301	Standard
Gauge for pressure regulator, 1/4" NPT	550242	Standard
Di-Carb™ nozzle, 1/4", for glass or steel media	501311	501331
Boron carbide nozzle, 1/4", for harsh media <i>(Requires nozzle adapter, PN 504921)</i>	502101	502071
Window plastic	509191	509191
Window screen	509201	509201
Safety matting, 2 feet wide <i>(Specify length.)</i>	509002	509002
Static strap	510411	510411
Gun holder	NA	140400

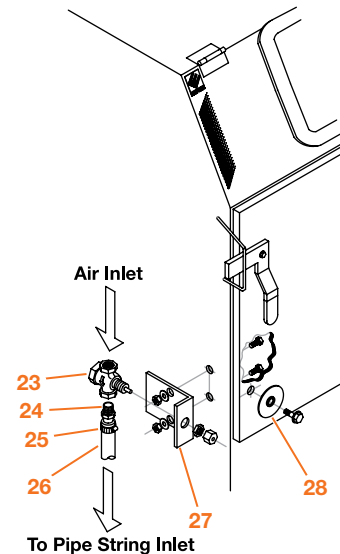
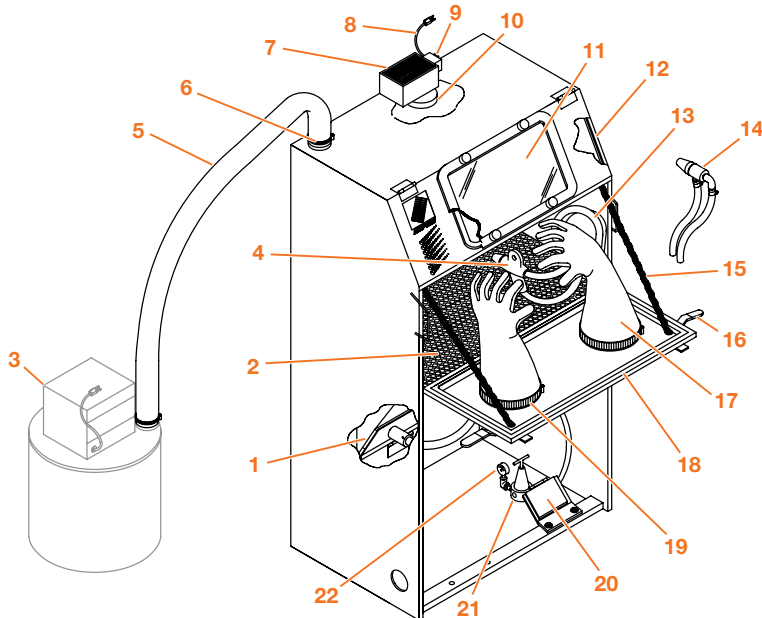


Never use silica sand in any Empire equipment.



# Parts: Econo-Finish® Cabinet Assemblies

## Guide to Part Numbers Models since 1991



**Optional Blast Interlock for Main Door**

Item	Description	Part#
1	Gasket, clean-out door	580081
2	Floor, <b>2430 cabinets</b>	771721
	Floor, <b>2436 cabinets</b>	771731
	Floor, <b>2448 cabinets</b>	771741
3	Dust collector (See page D3 for details.)	
4 *	Blast gun, MH-2A (See page D4 for details.)	
5	Dust hose, 3" I.D. x 6'	515941
6	Clamps for 3" dust hose (2 required)	520521
7	Filter	510495
	Retaining screen	510481
8	Line cord with plug	529601
9 †	Switch, 20 Amp.	534421
	Switch, 15 Amp. (discontinued — use 141468)	
†	Floodlight, 90 W.	532701
10	Gasket for spotlight	580191
	Light fixture with gasket	532711
	Light box assembly, includes 7 & 8	141468
11	Window assembly, complete, includes	140554
	Window spacers (4 required)	525931
	Window knobs (4 required)	510461
	Window frame	760291
†	Window gasket, 6'	524451
*	Window safety glass Δ	510401
12	Gasket, upper door, 3/4" x 3/4"	
	<b>2436 cabinets</b> , 6' (Specify length.)	524441
	<b>2448 cabinets</b> , 7' (Specify length.)	524441
*	Blast hose, 1/2" I.D., 7' (Specify length.)	520861
13 †	Air hose, 1/2" I.D., 7' (Specify length.)	520861
	Clamp for 1/2" air hose (2 required)	521091
	Grommet for 1/2" hose (2 required)	523921
14 *	Blast gun, MH-4 (See page D4 for details.)	
15 †	Chain, 21" (2 required)	770691
16	Door handle (2 required) (Specify right or left.)	771641
	Handle cover (2 required) (Specify right or left.)	509571

Item	Description	Part#
17 *	Rubber gloves, pair	509891
*	Rubber glove, left hand	510821
18	Gasket, lower door, 3/4" x 3/4", sides and bottom (Specify length in feet.)	
	<b>2340 cabinets</b> , 8'	524441
	<b>2436 cabinets</b> , 6'	524441
	<b>2448 cabinets</b> , 7'	524441
*	Gasket, lower door, 1/4" x 1", top lip (Specify length in feet.)	
19	<b>2436 cabinets</b> , 3'	523622
	<b>2448 cabinets</b> , 4'	523622
20	Clamps for gloves, 8" (two)	520561
	Glove hole flange, plastic (not shown)	555016
21	Foot-treadle assembly without regulator for <b>Series "B" cabinets</b>	140717
	Foot-treadle assembly with regulator for <b>Series "A" cabinets</b>	140718
22	Valve, foot treadle	517031
	Regulator for <b>Series "A" cabinets</b>	517301
	Repair kit for 517301 regulator	508201
23	Gauge, <b>Series "A" cabinets</b>	550242
<b>Optional Blast Interlock Assembly</b> (Includes items 23 through 27 for customer installation)		140377
24	Valve	517031
25	Fitting, 1/2" hose x 3/8" MPT	520372
26	Hose clamp	520502
27	1/2" air hose (5' required) (Specify length.)	520861
28	Bracket, interlock	770741
	Piston plate	517812

**PARTS NOT SHOWN ON DRAWING**

•	Spring, clean-out door	510961
•	Decal ( <b>Instructions/Warning</b> ), door	567361
•	Decal ( <b>Instructions/Warning</b> ), cabinet	567391

\* Recommended spare part — Consumable wear item

† Essential component to prevent downtime

Δ Failure to replace glass with Empire safety glass could result in serious injury.

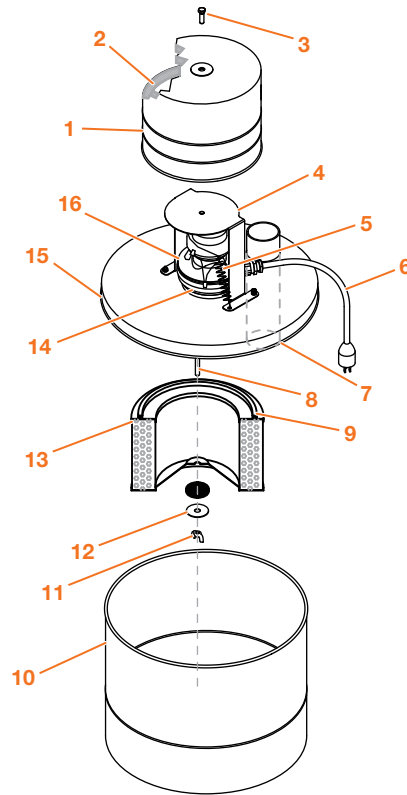


# Parts: Econo-Finish® Dust Collectors

## DC-16 Dust Collector (Part # 117216)

Item	Description	Part#
1	Sound attenuator cover	770962
2	Hush cloth, ½" x 7" x 8¼" (5 pieces)	525051
3	Bolt, hex head, ¾"-16 x 1¼"	551852
4	Bracket, sound attenuator	772356
5	Spring extension	515741
6	Line cord, 120 V	529601
7	Gasket tape, lid, 3'	800166
8	Threaded rod	770067
9	Gasket	523341
10	Drum, 16 gallon	504016
11	Wing nut, ¾"-16	553992
12	Flat washer, ¾"	552892
13 *	Filter cartridge	504771
14	Gasket, fan (two required)	524362
15	Lid weldment	770684
16	Blower, 120 V, 60 Hz, Single phase, 133 CFM	515761

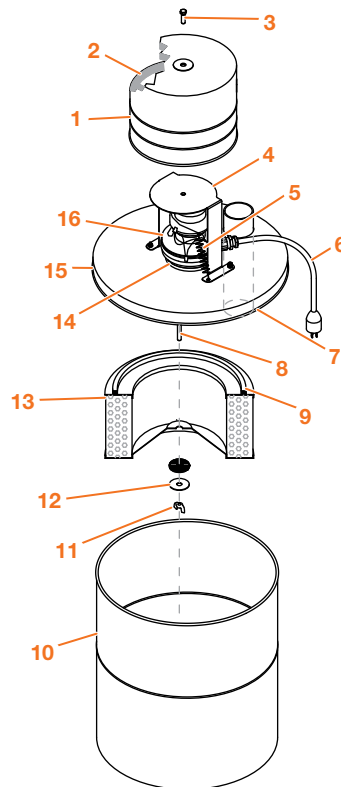
\* Recommended spare part—Consumable wear item  
 † Essential component to prevent downtime



## DC-30 Dust Collector (Part # 117230)

Item	Description	Part#
1	Sound attenuator cover	770962
2	Hush cloth, ½" x 7" x 8¼" (5 pieces)	525051
3	Bolt, hex head, ¾"-16 x 1¼"	551852
4	Bracket, sound attenuator	772356
5	Spring extension	515741
6	Line cord, 120 V	529601
7	Gasket tape, lid, 3'	800166
8	Threaded rod	770067
9	Gasket	523341
10	Drum, 30 gallon	504014
11	Wing nut, ¾"-16	553992
12	Flat washer, ¾"	552892
13 *	Filter cartridge	504771
14	Gasket, fan (2 required)	524362
15	Lid weldment	770684
16	Blower, 120 V, 60 Hz, Single phase, 133 CFM	515761

\* Recommended spare part—Consumable wear item  
 † Essential component to prevent downtime

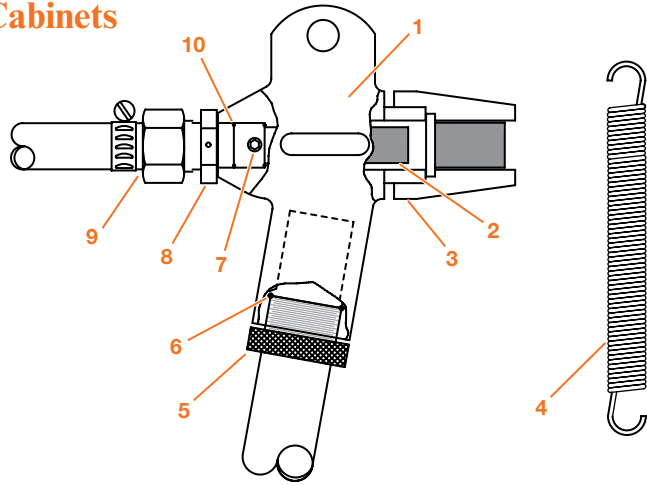


Contact Customer Service for replacement parts if your current dust collector has a clamp ring for the lid.

# Parts: Econo-Finish® Blast Guns

## MH-2A Suction Blast Gun for “A Series” Cabinets

Item	Description	PART#
	MH-2A gun, common components	140700
	MH-2A gun, 1/4" Di-Carb™ nozzle, 1/8" air jet	140701
	MH-2A gun, 1/4" ceramic nozzle, 1/8" air jet (standard)	140702
	MH-2A gun, 7/16" Di-Carb™ nozzle, 7/32" air jet	140703
	MH-2A gun, 1/4" boron nozzle™, 1/8" air jet	140704
	MH-2A gun, 5/16" boron nozzle, 5/32" air jet	140705
	MH-2A gun, 7/16" boron nozzle, 7/32" air jet	140706
	MH-2A gun, 5/16" ceramic nozzle, 5/32" air jet	140708
1 *	Gun body, long handle	735551
2 *	Air jet, 5/32" (green)	505671
3 *	Nozzle adapter, plastic	505641
4	Spring, suction-gun assist	511251
5	Nut, hose clamp, MH-2A	520081
6	O-ring 1 1/16" ID x 1 5/16" OD	523881
7	Set screw, 1/4" – 20 x 3/8"	551052
8	Connector, MH-2	505631
9	Hose barb, 1/2" FPT x 1/2" hose	520402
10	O-ring, 1/2" ID x 5/8" OD (2 required)	523912



\* Recommended spare part—Consumable wear item  
 † Essential component to prevent downtime

### Nozzles for MH-2A Guns

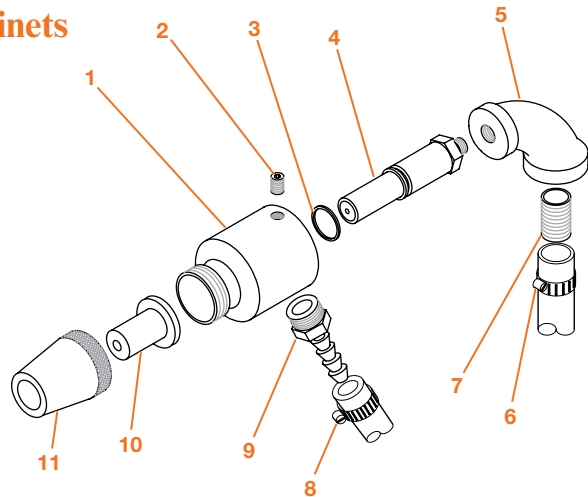
Diameter (#)	1/4" (#4)	5/16" (#5)	7/16" (#7)
<b>PART NUMBERS</b>			
Ceramic (each)	502421	502431	502441
Ceramic (10 pack)	503341	503351	503361
Di-Carb™ (each)	501331	501341	501351
Boron (each)	502071	502081	502091

### Air Jets for MH-2A Guns

Diameter	Designation	Note	PART#
3/32"	orange		505651
1/8"	yellow		505661
5/32"	green	Standard	505671
3/16"	blue		505681
7/32"	white		505691
1/4"	red		505701

## MH-4 Suction Blast Gun for “B Series” Cabinets

Item	Description	PART#
	MH-4 gun, 1/4" ceramic nozzle, 3/32" air jet (standard)	140721
	MH-4 gun, 5/16" ceramic nozzle, 1/8" air jet	140722
	MH-4 gun, 1/4" Di-Carb™ nozzle, 3/32" air jet	140723
	MH-4 gun, 5/16" Di-Carb™ nozzle, 1/8" air jet	140724
1	Suction head	505331
2	Set screw, 1/4" – 20 x 3/8"	551052
3	O-ring	523891
4 *	Air jet with O-ring, 1/8" (yellow) (standard)	504811
4 *	Air jet with O-ring, 3/32" (orange)	504821
5	Elbow, 1/4" x 1/8"	543912
6	Hose clamp (not included with gun)	521091
7	Nipple, 1/4"	545912
8	Hose clamp (not included with gun)	521091
9	Hose barb, 1/2" x 3/8" MPT	520372
10 *	Nozzle, ceramic, 1/4" (standard)	502661
11	Nozzle adapter (ceramic & Di-Carb nozzles)	504901
	Nozzle adapter (Boron carbide nozzle only)	504921



\* Recommended spare part—Consumable wear item  
 † Essential component to prevent downtime

### Nozzles for MH-4 Guns

Diameter	1/4"	5/16"
<b>PART NUMBERS</b>		
Ceramic (each)	502661	502701
Ceramic (10 pack)	502401	502411
Di-Carb™ (each)	501311	501321
Boron carbide (each)	502101	NA

Boron carbide nozzle requires nozzle adapter, PN 504921